

# TV1634DC

[SPECIFICATIONS] Fish Eye Vari Focal Lens

IMAGE SIZE:  $\frac{1}{3}$   $\frac{1}{4}$

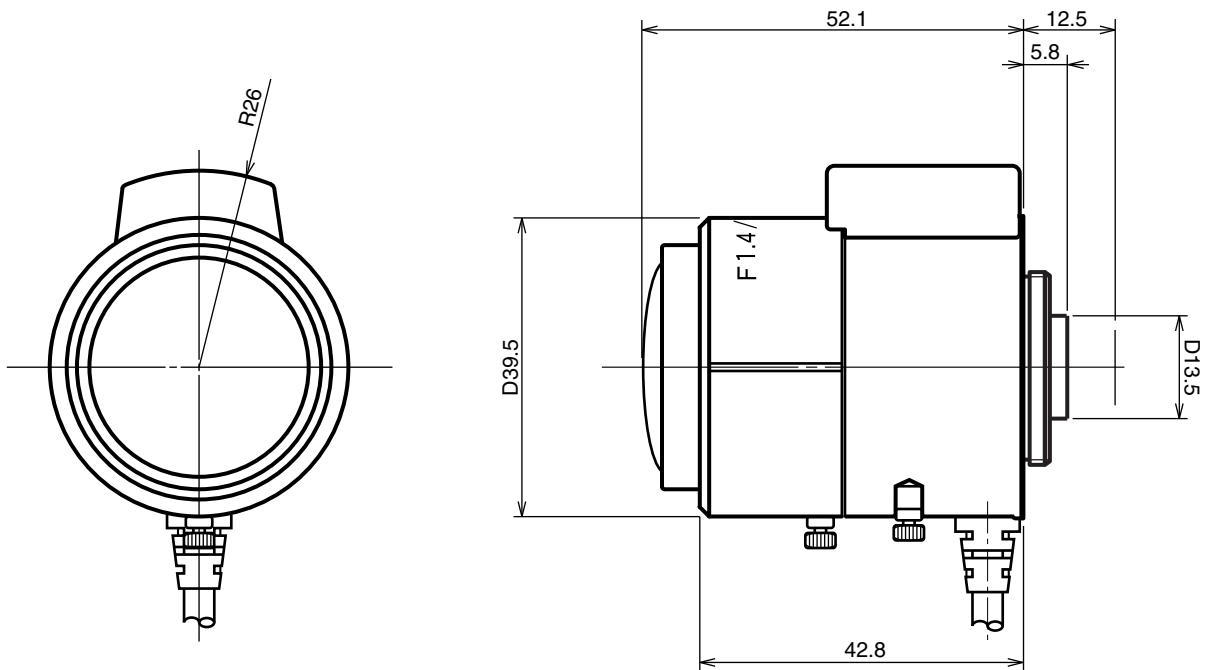
FOCAL LENGTH : 1.6 - 3.4mm  
 MAXIMUM RELATIVE APERTURE : 1:1.4  
 IRIS : F1.4 - 360  
 WITH ND SPOT FILTER  
 ANGULAR FIELD OF VIEW : AT 1.6mm 180.0X106.1 deg.  
 AT 3.4mm 114.1X 55.8 deg.  
 IMAGE FORMAT : 4.8X3.6mm (D6mm)  
 MINIMUM OBJECT DISTANCE : 0.2m (FROM FRONT VERTEX)  
 BACK FOCUS : 7.06 - 11.54mm (In Air)  
 FLANGE BACK : 12.5mm

OPERATION VOLTAGE : Close TO Open : LESS THAN 4V  
 Open TO Close : MORE THAN 0V  
 OPERATION : FOCUS : MANUAL  
 ZOOM : MANUAL  
 IRIS : IG  
 OPERATION TEMPERATURE : -10 to +45 C  
 MOUNT : CS-MOUNT (ADJUSTABLE LENS POSITION)  
 WEIGHT : 105g

[COMPOSITION]

- LENS . . . . .1
- LENS CAP . . . . .1
- DUST CAP . . . . .1

[DIMENSIONS]



Unit:mm

[CIRCUIT DIAGRAM]

